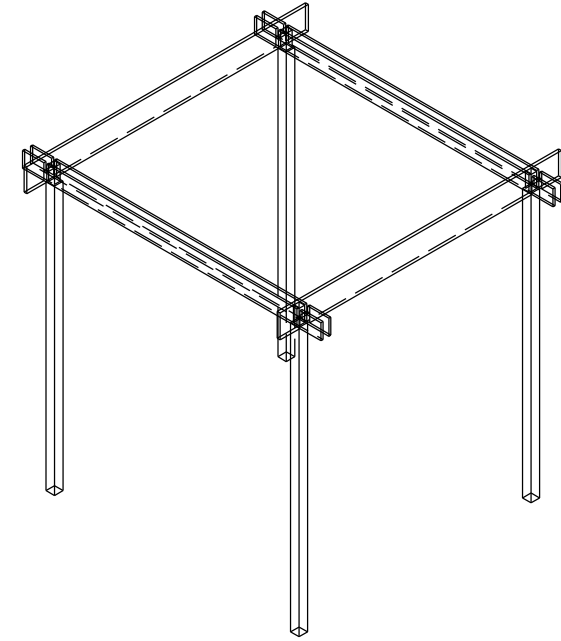
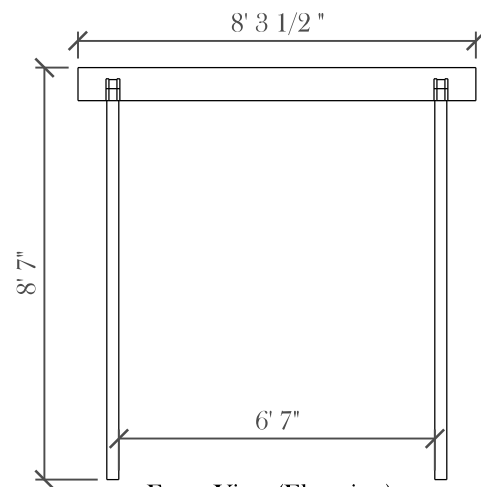


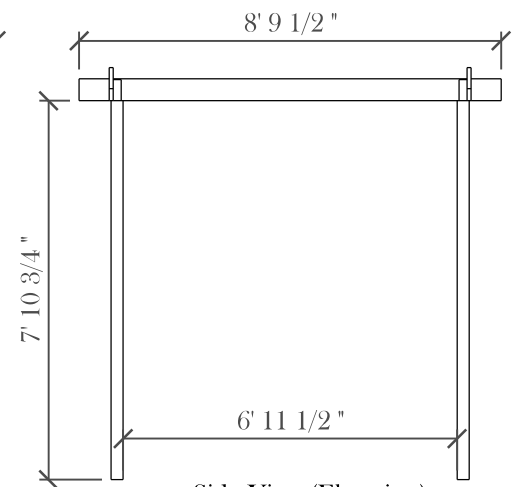
Top View (Plan)
Scale: $\frac{1}{2}" = 1'$



3D View (Isometric)
Scale: $\frac{1}{4}" = 1'$

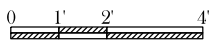


Front View (Elevation)
Scale: $\frac{1}{4}" = 1'$

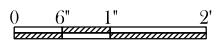


Side View (Elevation)
Scale: $\frac{1}{4}" = 1'$

Scale Bars



Scale: $\frac{1}{4}" = 1'$



Scale: $\frac{1}{2}" = 1'$