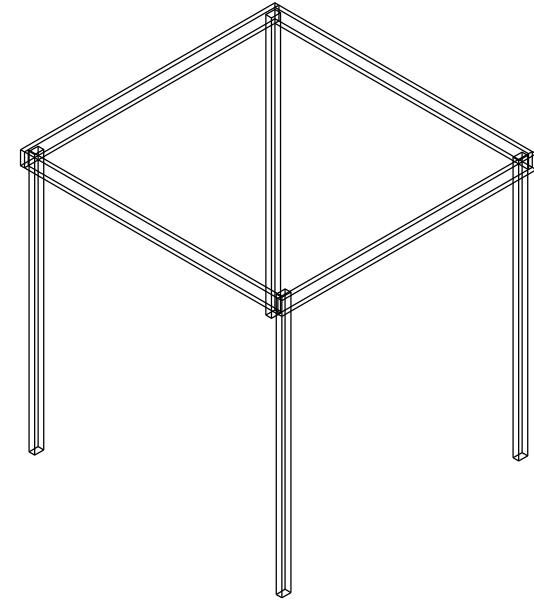
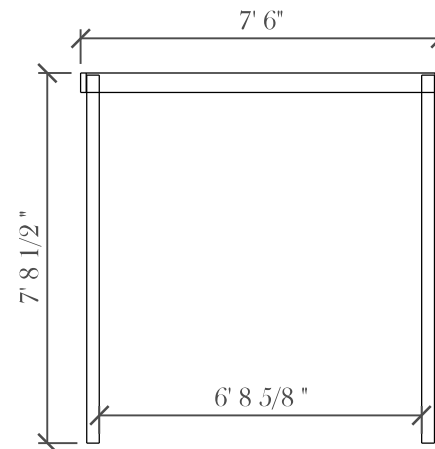


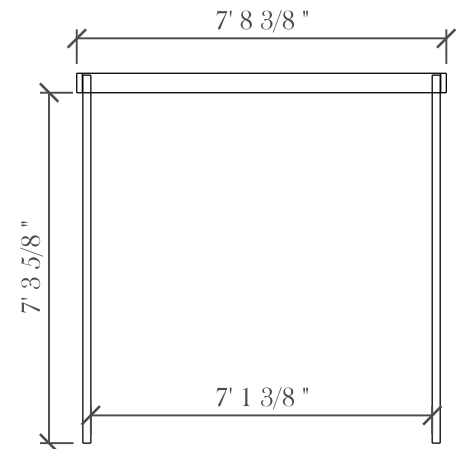
Top View (Plan)
Scale: 1/2" = 1'



3D View (Isometric)
Scale: 1/4" = 1'

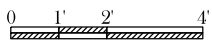


Front View (Elevation)
Scale: 1/4" = 1'

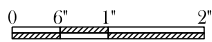


Side View (Elevation)
Scale: 1/4" = 1'

Scale Bars



Scale: 1/4" = 1'



Scale: 1/2" = 1'