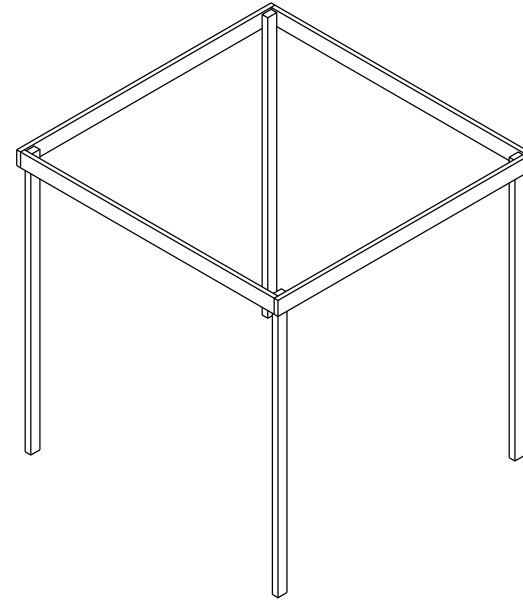
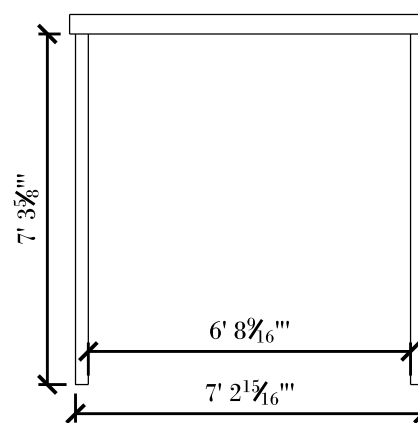


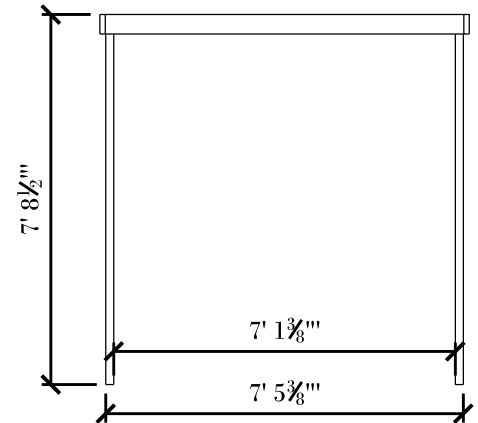
Top View (Plan)
Scale: $\frac{1}{2}'' = 1'$



3D View (Isometric)
Scale: $\frac{1}{4}'' = 1'$



Front View (Elevation)
Scale: $\frac{1}{4}'' = 1'$



Side View (Elevation)
Scale: $\frac{1}{4}'' = 1'$

